

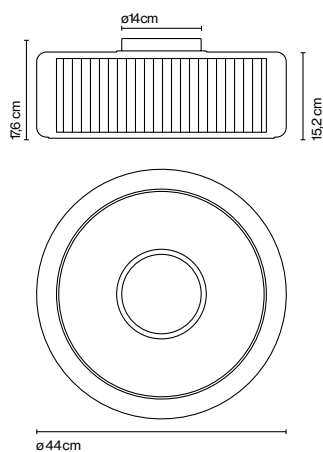


**Mercer**  
Joan Gaspar &  
Javier M. Borrás

**marset**



**Mercer C**



**Mercer C**

- ☉ 2x E27 HSGSA/C/UB 46W
- ☉ 2x E27 LED Standard 8W
- ☉ 2x E27 FBT 18W

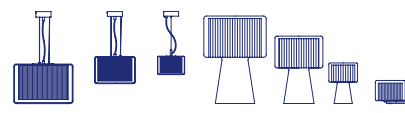
Textile shade that floats inside a transparent blown glass structure. Opal diffuser disc on the lower part.

- Natural cotton ribbon
- Pearl white



- [Download](#) Assembly Instructions
- [Download](#) Photometric Data
- [Download](#) 2D
- [Download](#) 3D
- [Download](#) Energy label

**Range**



info@marset.com  
www.marset.com

The fusion of different materials achieves a spectacular result due to its textile shade floating in a transparent blown glass structure.